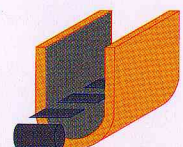
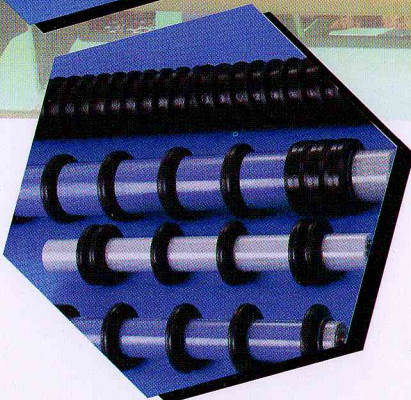
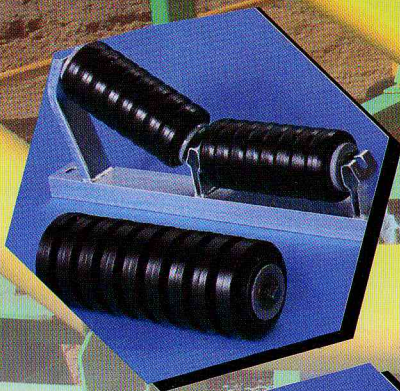
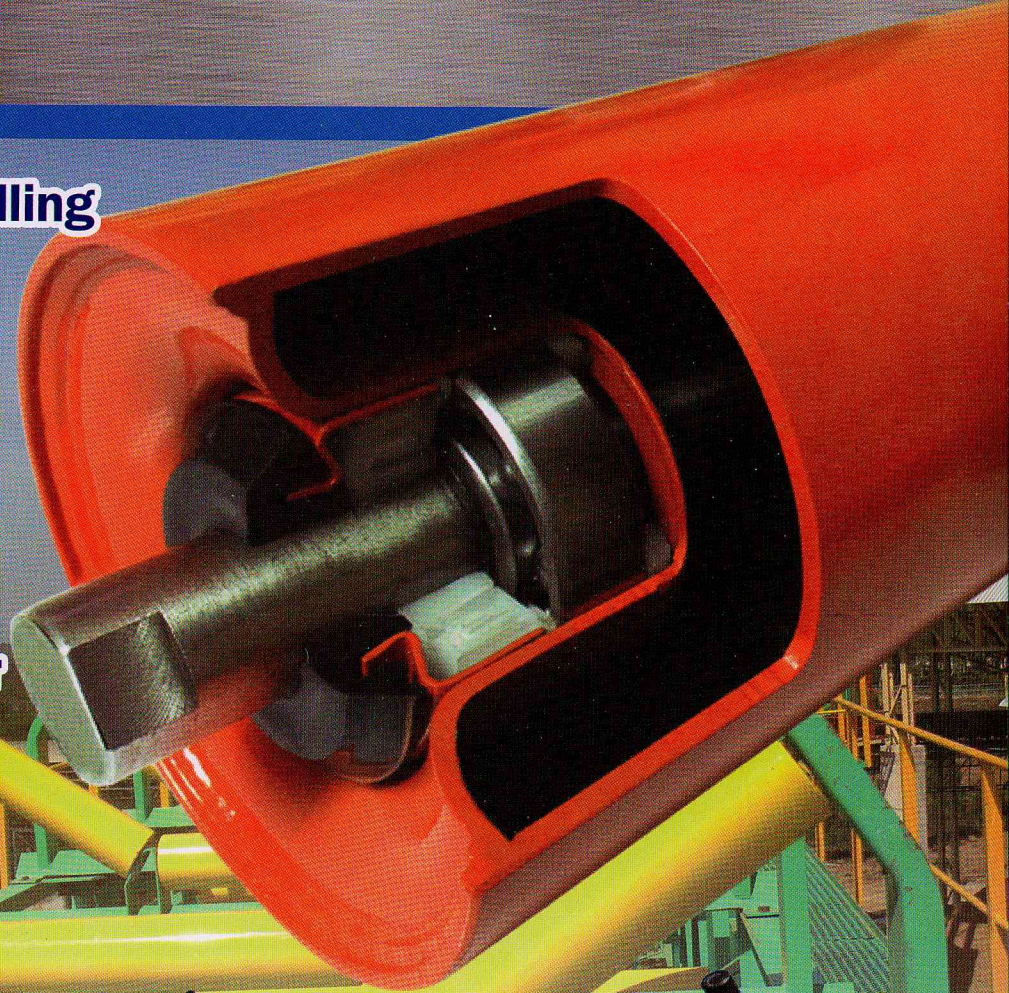


IDIO ROLLER

ไอดีโอ โรลเลอร์ที่ดีที่สุดสำหรับคุณ
IDIO THE BEST ROLLER FOR YOU

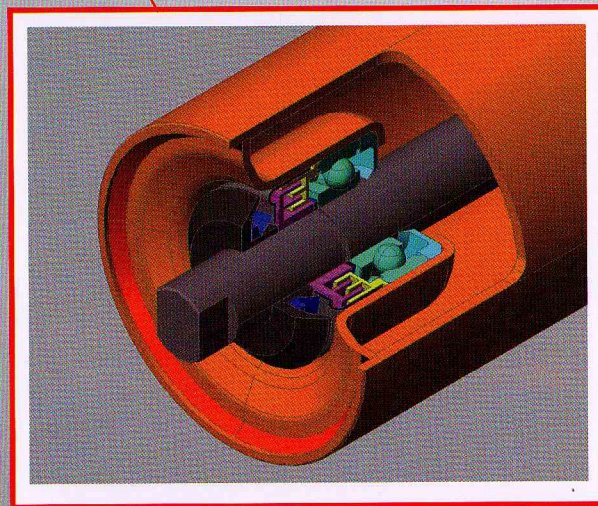
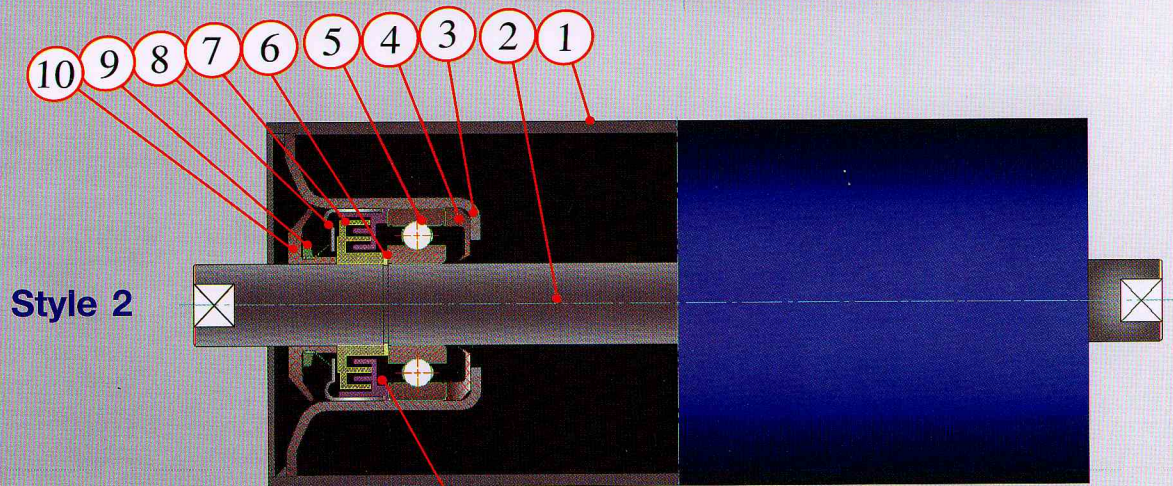
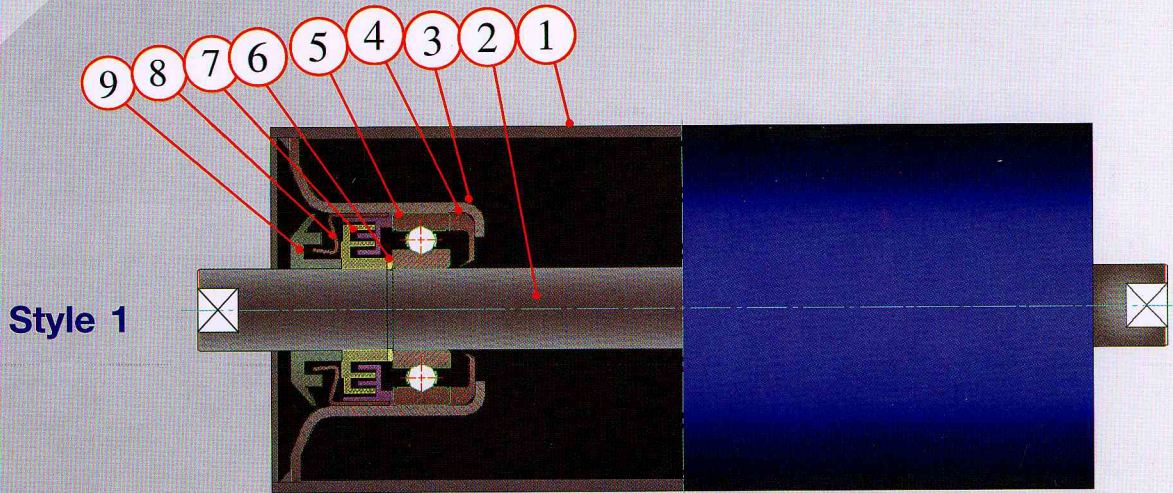
Roller for Bulk Handling

- Carrier Roller
- Return Roller
- Impact Roller
- V-ring Roller
- Head & Tail Roller



UNIQUE CONVEYOR ENGINEERING CO., LTD.

ROLLER STYLE



Item 1 : Roller Shell (SS400)	Item 6 : Circlip
Item 2 : Shaft (SS41)	Item 7 : Labyrinth seal (POM)
Item 3 : Bearing Housing (SPHC)	Item 8 : Metal cover (SPCC)
Item 4 : Internal seal (POM)	Item 9 : Dust cap (PE) for style1
	: V-ring (NBR) for style2
Item 5 : Precision Ball Bearing	Item 10 : Dust cap (PE)

Main Specification

- For Heavy duties in Bulk handling application
- High accuracy and Strength bearing housing ensures long bearing life
- Quality seal system design to discharge water and dirt
- Automatic M.I.G. weld for strength and protection
- Precision Bearing
- Maintenance Free Operation

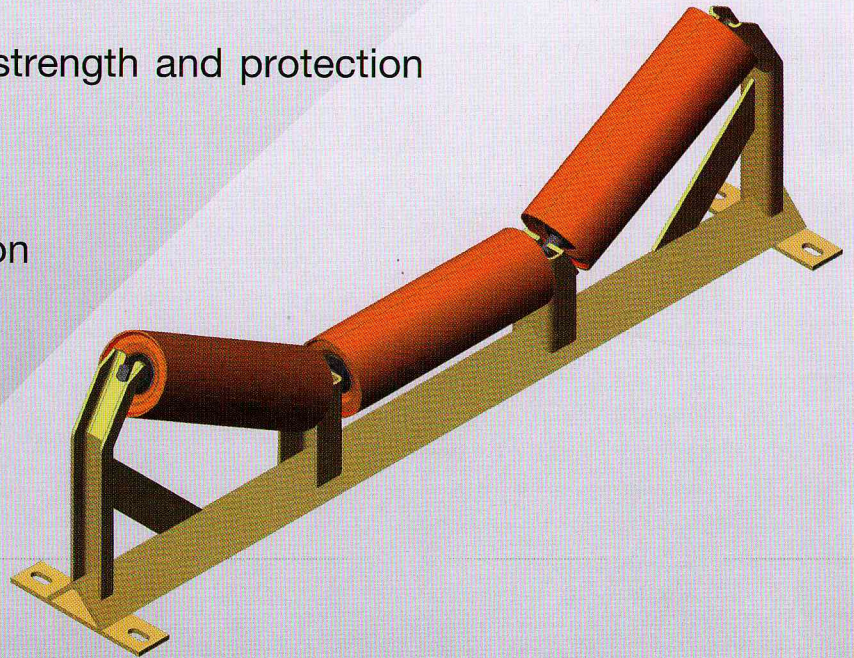


Table Standard of Idlers

ROLLER TYPE	DIAMETER	SHAFT	BEARING
Series-20	Ø 60	20	6204-Z
	Ø 76		
	Ø 89		
	Ø102		
	Ø114		
Series-25	Ø139	25	6305-Z
	Ø114		
	Ø139		
Series-30	Ø159	30	6306-Z
	Ø139		